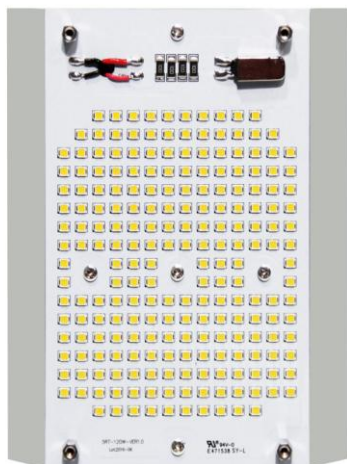


The 5th Generation LED Retrofit kits

New Retrofit kits Second Life to Existing fixture



DESCRIPTION

New Generation Retrofit kits are compact standard units with an excellent uniform light distribution.

Use only the most durable materials and components, all-in-one heatsink with perfect structure maximum heat dissipation

Widely used in Street light fixture, Wallpack fixture, Canopy fixture and Highbay fixture etc.

* China patent and American patent pending. (Please do not forward our product information to other factories)

* Legal representation: Meunier Carlin & Curfman, LLC (in US), 嘉权专利商标事务所(in China).

COMPLIANCE

* IES /LM79/LM80 available

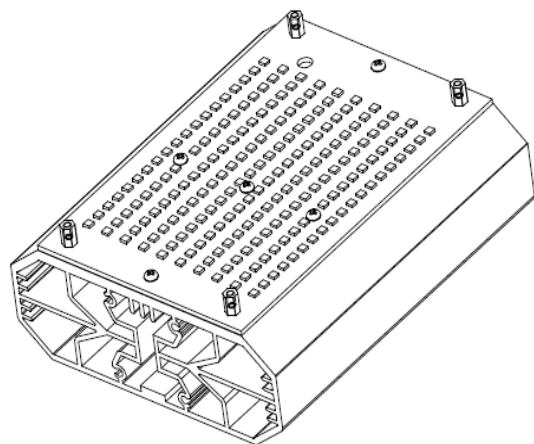
* CE ROHS Available

FEATURES

- Light efficiency: improved to 165LM/W (bare kit), 150 LM/W (in fixture).
- Long L90 lifetime: using Nichia's latest LED technology, the L90 life is 60% longer than Philips 3030 LEDs.
- Qualified driver: one of our subsidiary corporations is a Mean Well distributor, allowing us quality source for Mean well drivers.
- Lower profile heat sink design, more slim;
- Adopting AL6063 material of high structural intensity.
- Fan (fans) on the side blow(s) the heat sink in a much more efficient way (no leaking air flow).
- New mounting design: allowing for quicker installation than previous generation (saving time of more than 30%).
- Stronger mounting arm: more durable for harsh outdoor environments.
- Sensor options: photocell and motion sensor are optional for 5th gen. items.

SENSOR

- 120VAC/100-277VAC twist-lock photocell sensor: Applicable to control passage lighting and doorway lighting automatically in accordance with the ambient lighting level. Operating temperature of -40°C~+70°C.



* This product, or selected versions of this product, meet the standards listed below. Please consult factory for your specific requirements.



The 5th Generation LED Retrofit kits

SPECIFICATIONS

Items	Details
Model No.	MI-5MIK-120
Input Power	120W
Input Voltage	AC 100-277V, 50~60Hz
Luminous Flux	16,740LM (bare kit) / 15,228LM (in fixture)
Efficiency	165 LM/W (bare kit) / 150LM/W (in fixture)
LED Source	Latest Nichia LED chips
Color Temp.:	3000K/4100K/4500K/5000K/5500K
CRI	≥75
View Angle	120°
Driver	Mean Well driver
Power Factor	>0.98
THD	<10%
Material	AL6063 material of high structural intensity
Fixture Surface	Powder coating appearance
Dimmable	Optional
Operating Temp	- 25°C to 55°C
Replacement	400W MH/HPS
Energy saving	60% ~ 80%
Sensors	120-277V Photocell, Motion sensor available
Fan	Sunon
Lifespan	50,000 hours (L70)
Testing Reports	LM79, LM80, IES available
Warranty	5-year on driver, 10-year on LED head
Qualifications	ETL/CETL, DLC premium listed

Ordering Guide

EXAMPLE: MI-5MIK-120-50-D-P-M

Light type	Wattage	Voltage	CCT	Dimmable	Photocell sensor	Motion sensor
5MIK=LED Retrofit kits	120=120W	Blank=100-277V HV=347-480V	30=3000K 41=4100K 45=4500K 50=5000K 55=5500K	D=Dimmable Blank= Non Dimmable	P=Photocell sensor Blank= Non Photocell sensor	M=Motion sensor Blank= Non Motion sensor

The 5th Generation LED Retrofit kits

INSTALLATION

IMPORTANT SAFEGUARDS

When using electrical equipment, basic safety precautions should always be followed including the following:

PRIOR TO INSTALLATION

1. Turn off power supply to avoid the risk of electrical shock.
 2. Proper grounding is required to ensure personal safety.
 3. Make certain power is OFF before starting installation or maintenance.
 4. Do not recess the fixture.
 5. A qualified electrician should do all work.
 6. DO NOT TOUCH THE LED CHIPS. DAMAGE MAY OCCUR.
-